

Gasburner HG 50 A/B

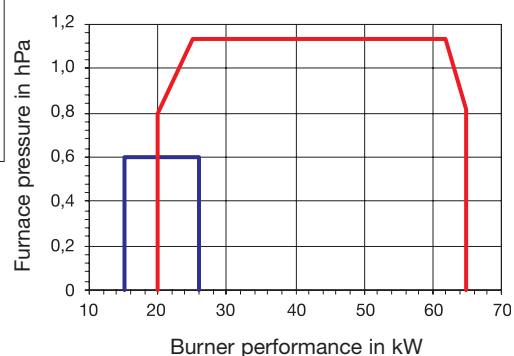


0085 AR 0096

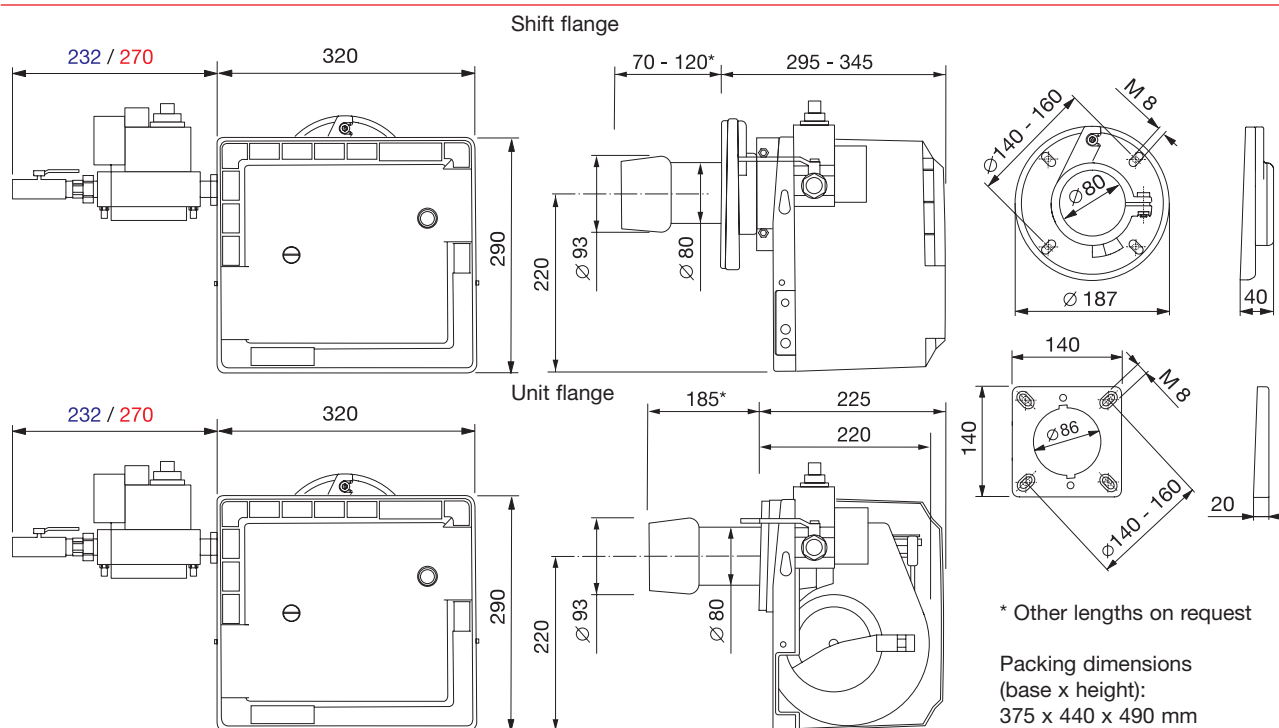


Type	Gas type	Minimum gas inlet pressure	Gas connection	Burner performance	Operating mode	Order no.
HG 50 AL.1-E	Natural gas	20 hPa	R 1/2	15 - 26 kW	1-stage	3800
HG 50 BL.2-E	Natural gas	20 hPa	R 1/2	20 - 65 kW	1-stage	3801
HG 50 AL.1-F	Liquid gas	50 hPa	R 1/2	15 - 26 kW	1-stage	3802
HG 50 AL.2-F	Liquid gas	50 hPa	R 1/2	20 - 65 kW	1-stage	3803

HG 50 AL.1-E HG 50 BL.2-E
HG 50 AL.1-F HG 50 AL.2-F



- Ionisation electrode for flame detection



* Other lengths on request

Packing dimensions
(base x height):
375 x 440 x 490 mm
Transporting weight: 16 kg
All dimensions in mm