

# Gasburner HG 75



0085 AR 0095



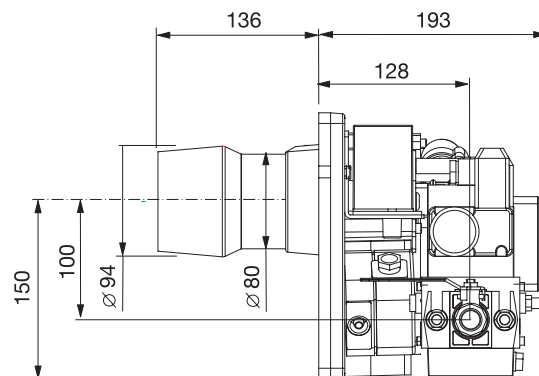
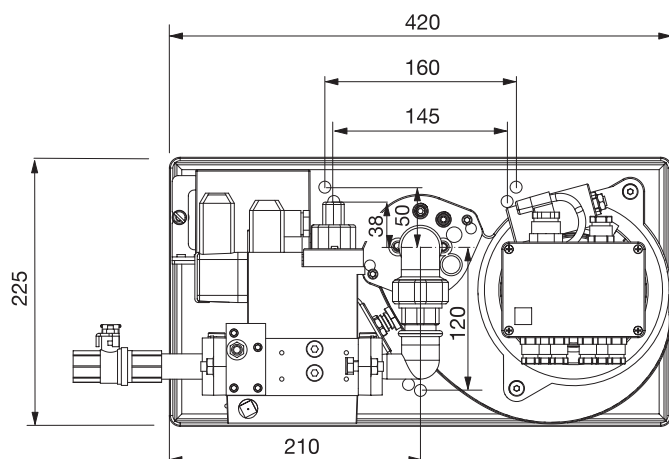
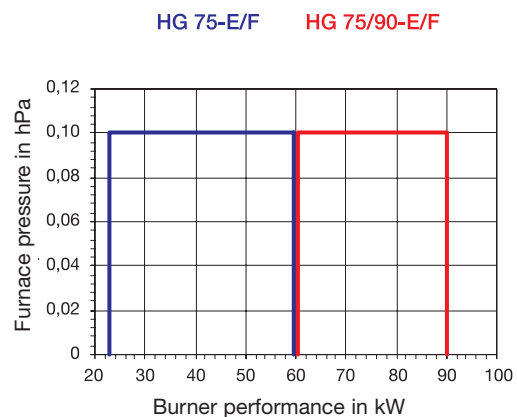
Installation position: Standard



Installation position: 180° rotated

Type	Gas type	Minimum gas inlet pressure	Gas connection	Burner performance	Operating mode	Order no.
HG 75 - E	Natural gas	20 hPa	R 1/2	23 - 60 kW	1-stage	3501
HG 75 - F	Liquid gas	50 hPa	R 1/2	23 - 60 kW	1-stage	3502
HG 75/90 - E	Natural gas	20 hPa	R 3/4	60 - 90 kW	1-stage	3503
HG 75/90 - F	Flüssiggas	50 hPa	R 3/4	60 - 90 kW	1-stage	3504

- Special gas burner for butchery, cooking and smoking applications
- Installation position 180° rotated on request
- Extremely durable design
- Ionisation electrode for flame detection
- Gas firing unit is provided separately for installation into an external cabinet



\* Other lengths on request

Packing dimensions  
(base x height):  
280 x 480 x 360 mm  
Transporting weight: 15,5 kg  
All dimensions in mm