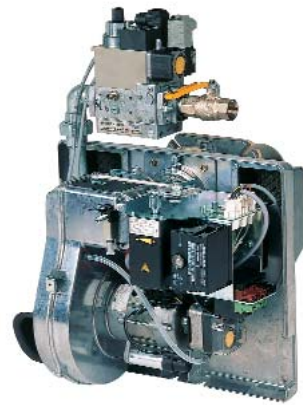


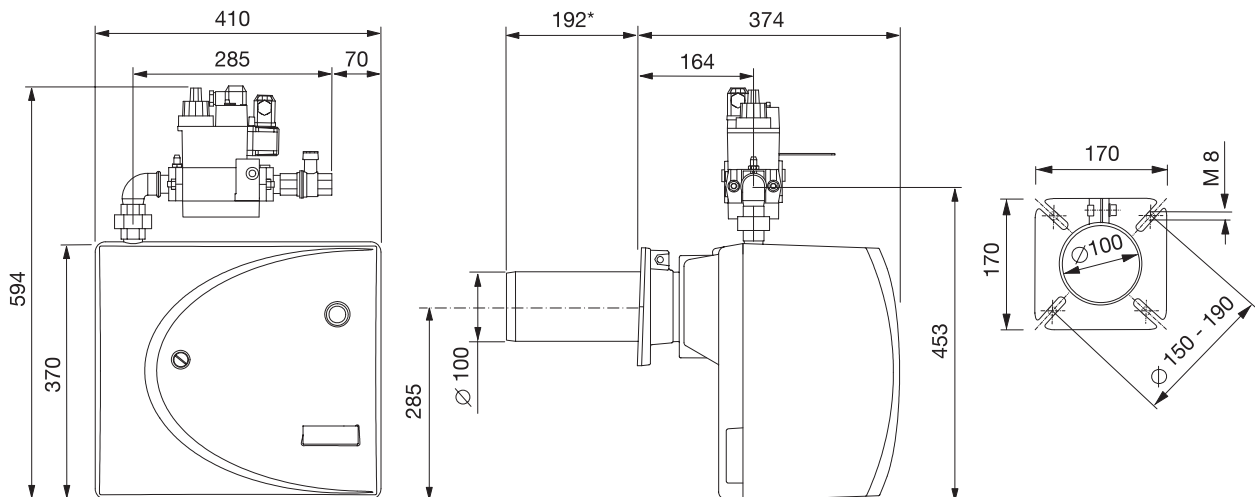
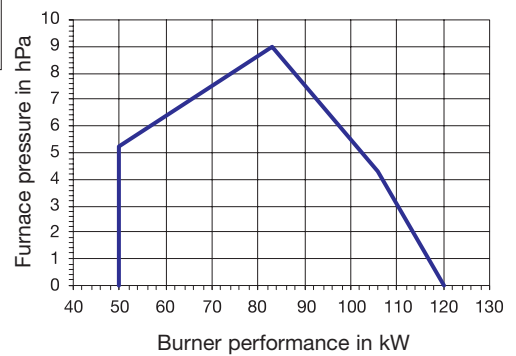
# Gasburner HGZ 120 A-S



Type	Gas type	Minimum gas inlet pressure	Gas connection	Burner performance	Operating mode	Order no.
HGZ 120 AL-E-S	Natural gas	20 hPa	R 3/4	50 - 120 kW	2-stage	3900

- Low-NO<sub>x</sub>-mixing unit certified according RAL-UZ 80 (Blue Angel)
- Automatic air damper with servodrive
- High pressure fan
- Electronic ignition unit
- 2-stage operating mode (mechanical gas/air linkage)
- Ionisation electrode for flame detection

HGZ 120 AL-E-S



\* Other lengths on request

Packing dimensions  
(base x height):  
425 x 485 x 595 mm  
Transporting weight: 27,5 kg  
All dimensions in mm