

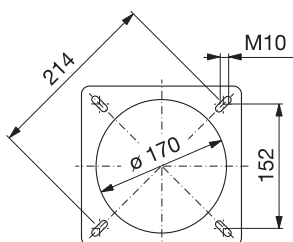
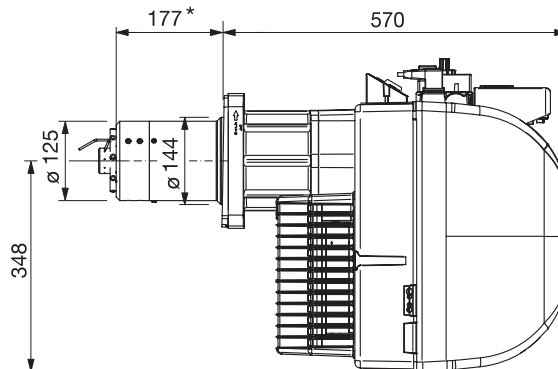
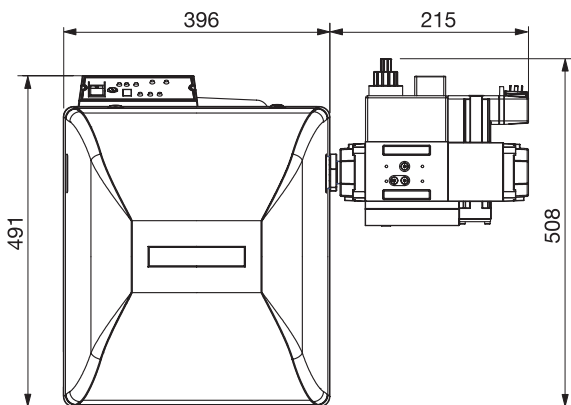
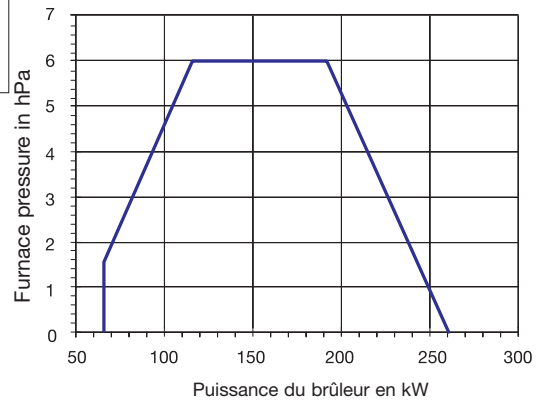
Gas burner HGZ 390 A



| Type | Gas type | Minimum gas inlet pressure | Gas connection | Burner performance | Operating mode | Order no. |
|---------------|-------------|----------------------------|----------------|--------------------|----------------|-----------|
| HGZ390 AL-E-S | Natural gas | 20 hPa | R 1 1/4 | 65 - 250 kW | 2-stage | 7100 |

HGZ 390 AL-E-S

- Low-NO_x-mixing unit certified according RAL-UZ 80 (Blue Angel)
- 2-stage operating mode (mechanical gas/air linkage)
- Automatic air damper with servodrive
- High pressure fan
- Electronic ignition unit
- Ionisation electrode for flame detection



* Other lengths on request

Packing dimensions
(base x height):
920 x 490 x 540 mm
Transporting weight: 43 kg
All dimensions in mm