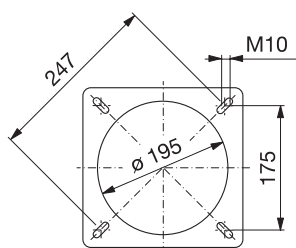
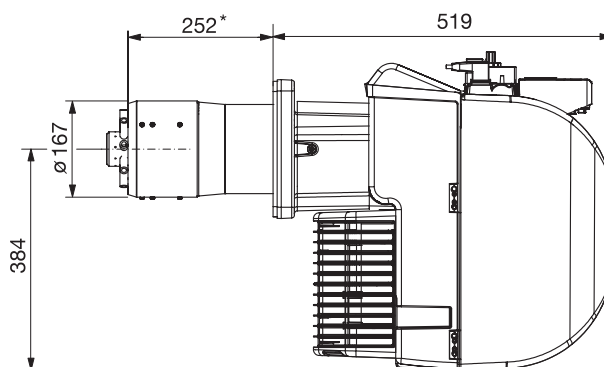
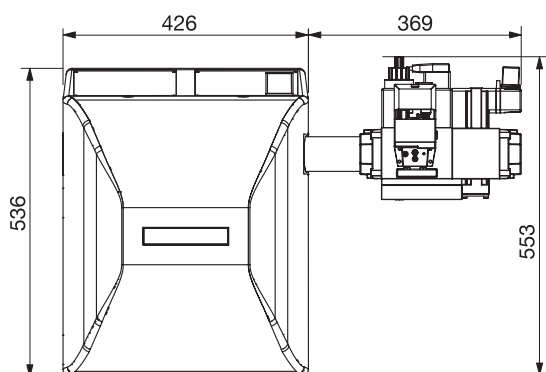
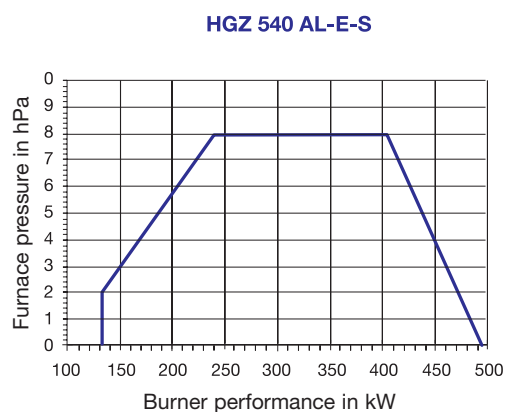


Gas burner HGZ 540 A



Type	Gas type	Minimum gas inlet pressure	Gas connection	Burner performance	Operating mode	Order no.
HGZ540 AL-E-S	Natural gas	20 hPa	R 1 1/2	132 - 490 kW	2-stage	7300

- Low-NO_x-mixing unit certified according RAL-UZ 80 (Blue Angel)
- 2-stage operating mode (mechanical gas/air linkage)
- Automatic air damper with servodrive
- High pressure fan
- Electronic ignition unit
- Ionisation electrode for flame detection



* Other lengths on request

Packing dimensions
(base x height):
1050 x 550 x 760 mm
Transporting weight: 55 kg
All dimensions in mm