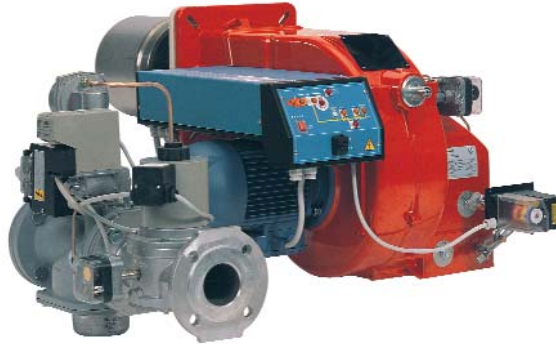


# Gasburner HGZ 800 L



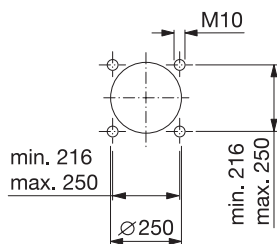
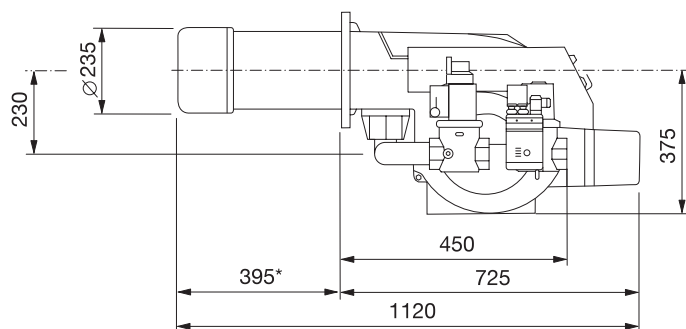
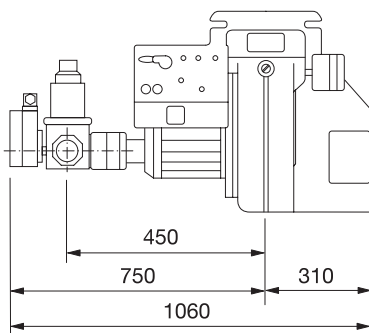
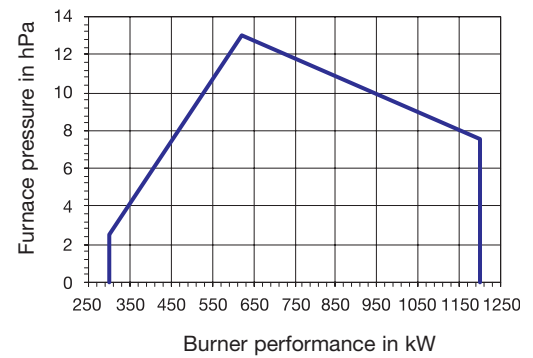
0085 AR 0583



HGZ 800 L-E

Type	Gas type	Minimum gas inlet pressure	Gas connection	Burner performance	Operating mode	Order no.
HGZ 800 L-E	Natural gas	60 hPa	R 2	300 - 1200 kW	2-stage	5206
HGZ 800 L-E	Natural gas	28 hPa	DN 65	300 - 1200 kW	2-stage	5216

- Automatic air damper with servodrive
- 2-stage operating mode (mechanical gas/air linkage)
- Ionisation electrode for flame detection



\* Other lengths on request

Packing dimensions  
(base x height):  
1275 x 840 x 630 mm  
Transporting weight: 100 - 130 kg  
All dimensions in mm