

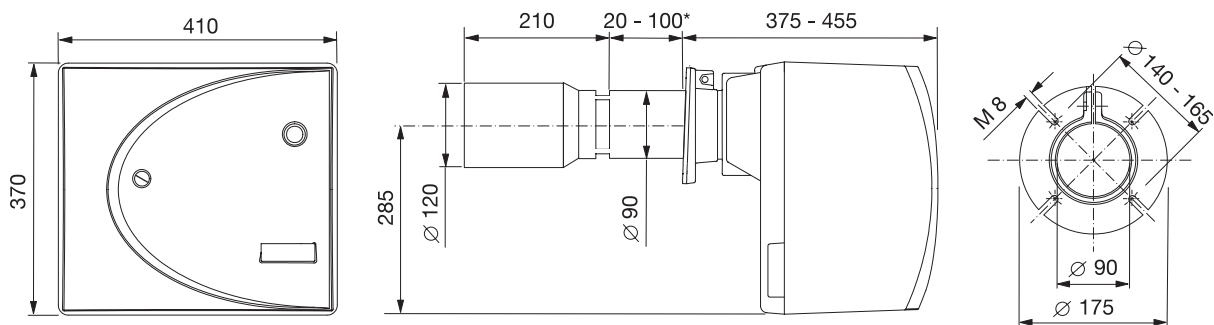
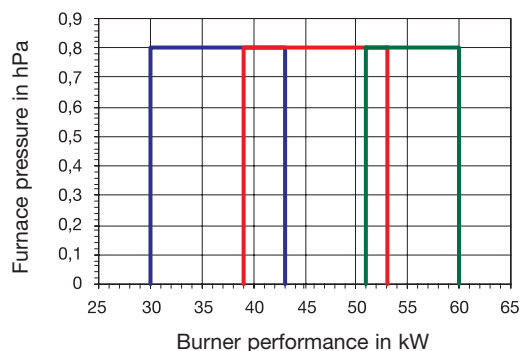
Oilburner HL 120 C/D/E-S



Type	Oil mass flow	Burner performance	Operating mode	Order-no.
HL 120 CLV-S	2,5 - 3,6 kg/h	30 - 43 kW	1-stage	5612
HL 120 DLV-S	3,3 - 4,5 kg/h	39 - 53 kW	1-stage	5613
HL 120 ELV-S	4,3 - 5,1 kg/h	51 - 60 kW	1-stage	5614

- Blue flame burner
- Low-NO_x-mixing unit certified according RAL-UZ 9 (Blue Angel)
- Automatic air damper
- High pressure fan
- Electronic ignition unit
- LE-system for reduced emissions during start up and stop
- Flicker detector for flame detection

HL 120 CLV-S HL 120 DLV-S HL 120 ELV-S



* Other lengths on request

Packing dimensions
(base x height):
425 x 485 x 595 mm
Transporting weight: 21 kg
All dimensions in mm