

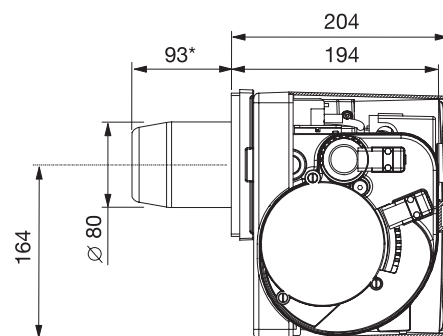
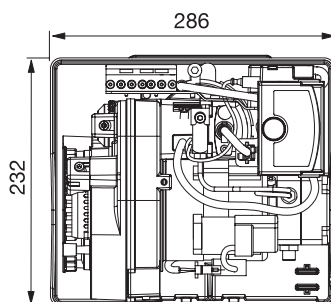
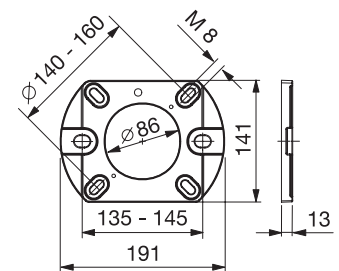
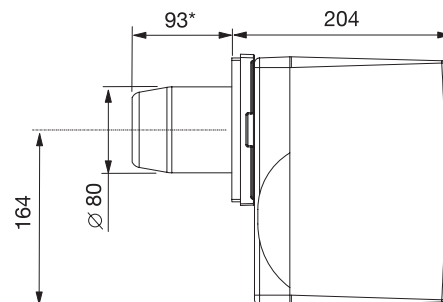
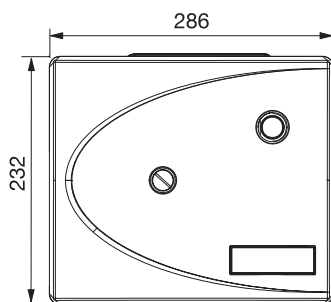
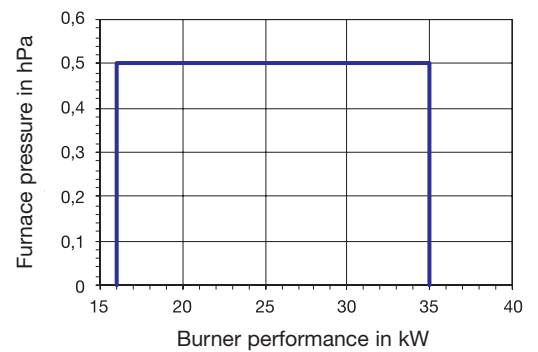
Oilburner HL 40 E-S



Type	Oil mass flow	Burner performance	Operating mode	Order-no.
HL 40 ELV-S	1,3 - 3,0 kg/h	16 - 35 kW	1-stage	5900

- Extremely compact design
- Low-NO_x-mixing unit certified according RAL-UZ 9 (Blue Angel)
- Microprocessor-based control
- Automatic air damper
- High pressure fan
- Electronic ignition unit
- LE-system for reduced emissions during start up and stop
- Photo resistor for flame detection

HL 40 ELV-S



* Other lengths on request

Packing dimensions
(base x height):
285 x 315 x 380 mm
Transporting weight: 10,5 kg
All dimensions in mm