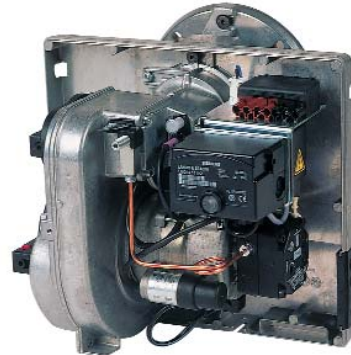
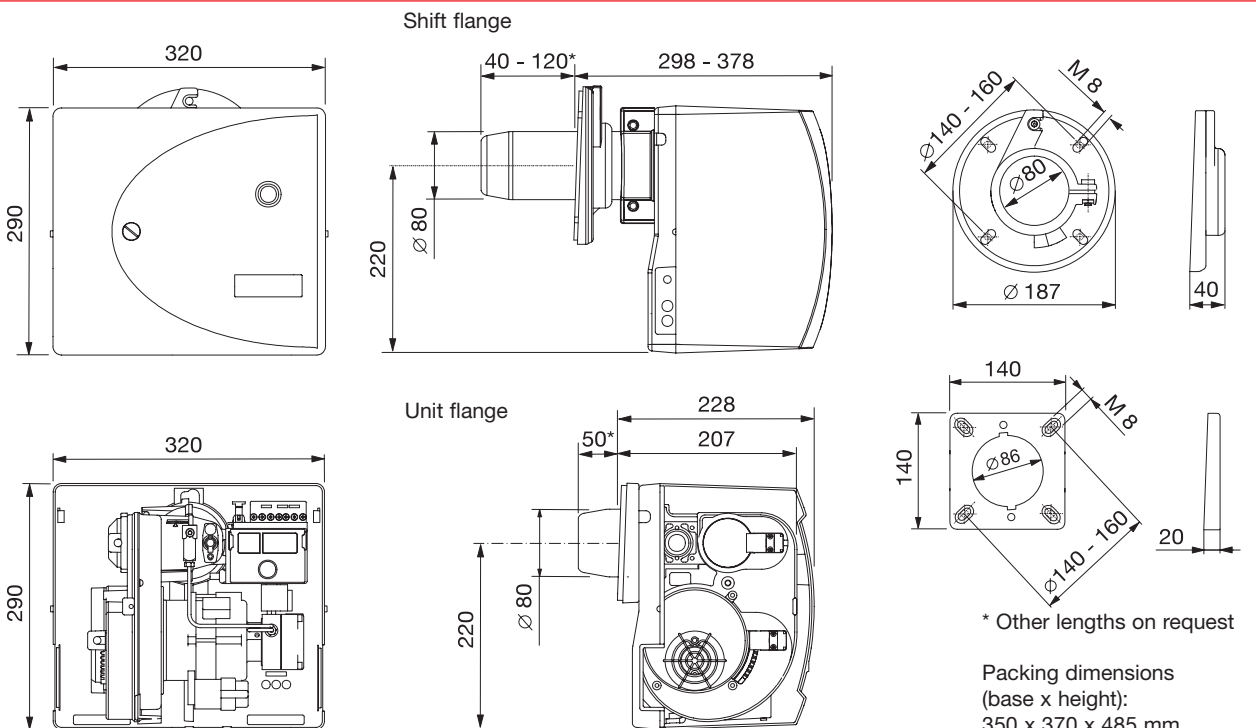
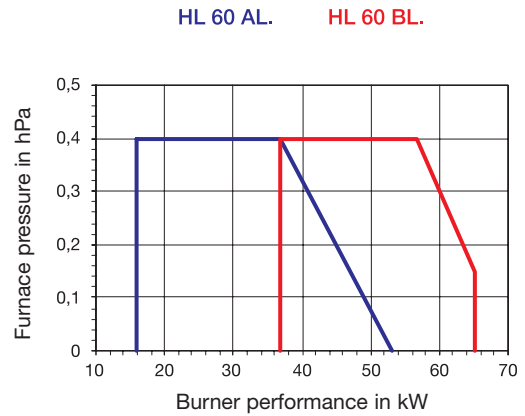


# Oilburner HL 60 A/B



Type	Oil mass flow	Burner performance	Operating mode	Order-no.
HL 60 AL.2	1,3 - 4,5 kg/h	16 - 53 kW	1-stage	5813
HL 60 ALV.2	1,3 - 4,5 kg/h	16 - 53 kW	1-stage	5801
HL 60 BL.2	3,1 - 5,5 kg/h	37 - 65 kW	1-stage	5814
HL 60 BLV.2	3,1 - 5,5 kg/h	37 - 65 kW	1-stage	5802

- Automatic air damper
- High pressure fan
- Microprocessor-based control
- Electronic ignition unit
- Photo resistor for flame detection



\* Other lengths on request

Packing dimensions (base x height):  
 350 x 370 x 485 mm  
 Transporting weight: 13,5 kg  
 All dimensions in mm