

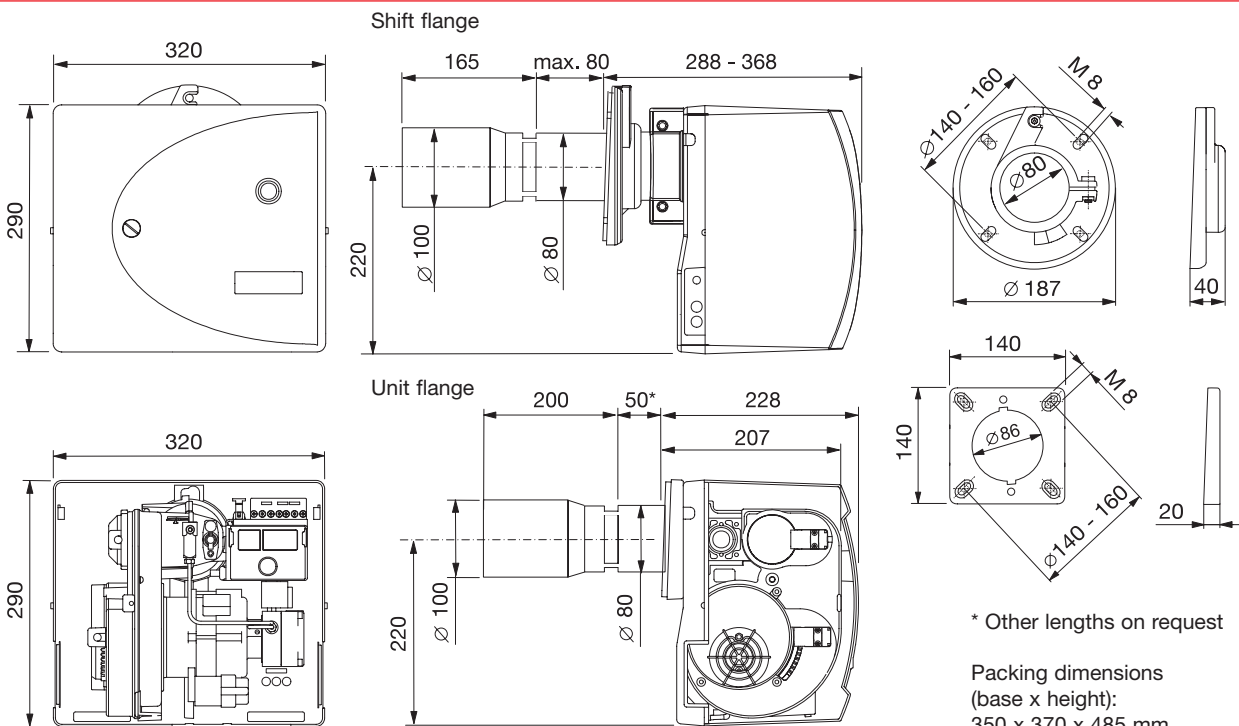
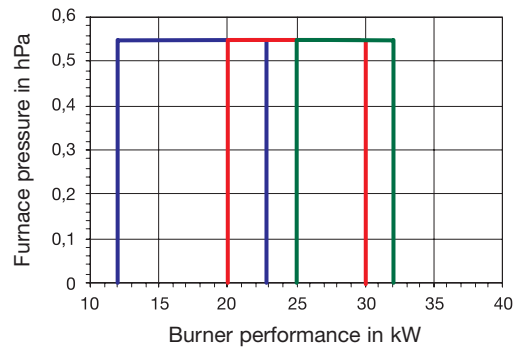
Oilburner HL 60 G/I/K-S



Type	Oil mass flow	Burner performance	Operating mode
HL 60 GLV.2-S	1,0 - 1,9 kg/h	12 - 23 kW	1-stage
HL 60 ILV.2-S	1,7 - 2,5 kg/h	20 - 30 kW	1-stage
HL 60 KLV.2-S	2,2 - 2,7 kg/h	25 - 32 kW	1-stage

HL 60 GLV.2-S HL 60 ILV.2-S HL 60 KLV.2-S

- Blue flame burner
- Low-NO_x-mixing unit certified according RAL-UZ 9 (Blue Angel)
- Automatic air damper
- High pressure fan
- Electronic ignition unit
- LE-system for reduced emissions during start up and stop
- Flicker detector for flame detection



* Other lengths on request

Packing dimensions
(base x height):
350 x 370 x 485 mm
Transporting weight: 14,5 kg
All dimensions in mm