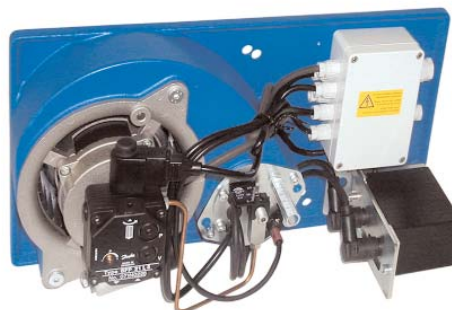


Oilburner HL 70 A/B/C



Installation position: Standard

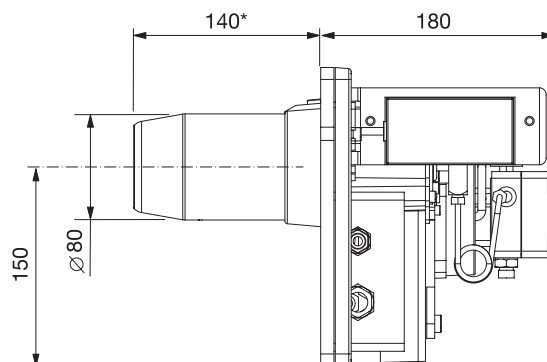
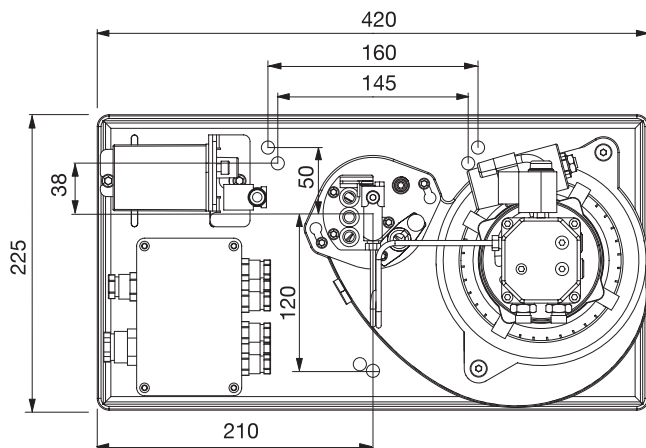
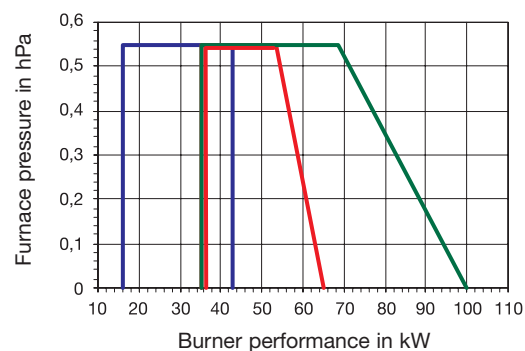


Installation position: 180° rotated

Type	Oil mass flow	Burner performance	Operating mode	Order-no.
HL 70 A	1,3 - 3,6 kg/h	16 - 43 kW	1-stage	5400
HL 70 AV	1,3 - 3,6 kg/h	16 - 43 kW	1-stage	5403
HL 70 B	3,0 - 5,5 kg/h	35 - 65 kW	1-stage	5401
HL 70 BV	3,0 - 5,5 kg/h	35 - 65 kW	1-stage	5404
HL 70 C	3,0 - 8,5 kg/h	35 - 100 kW	1-stage	5402
HL 70 CV	3,0 - 8,5 kg/h	35 - 100 kW	1-stage	5405

- Special oil burner for butchery, cooking and smoking applications
- Installation position 180° rotated on request
- Extremely durable design
- Photo resistor for flame detection
- Oil firing unit is provided separately for installation into an external cabinet

HL 70 A. HL 70 B. HL 70 C.



* Other lengths on request

Packing dimensions
(base x height):
280 x 480 x 360 mm
Transporting weight: 13 kg
All dimensions in mm