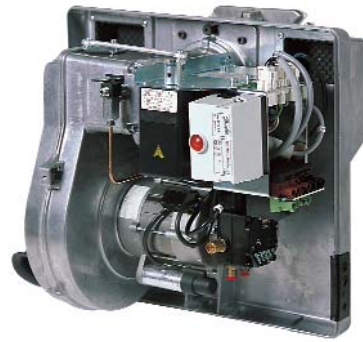
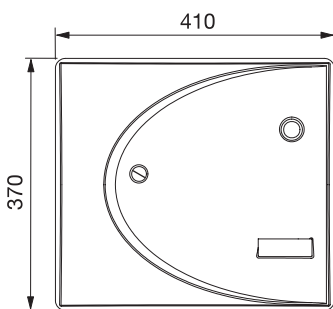
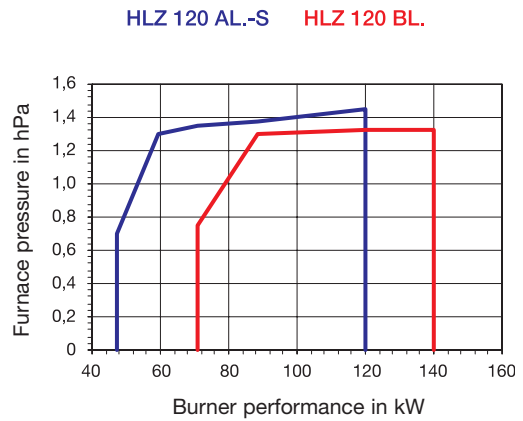


Oilburner HLZ 120 A-S/B

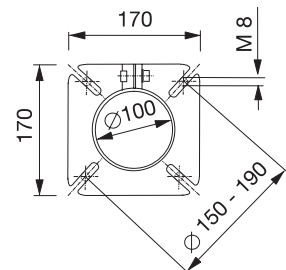
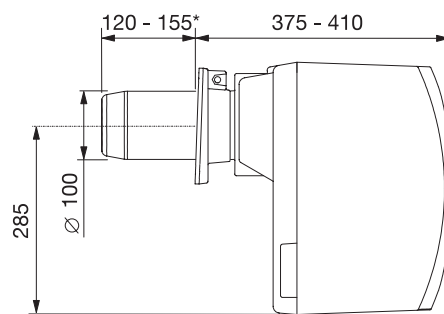


Type	Oil mass flow	Burner performance	Operating mode	Order-no.
HLZ 120 AL-S	4,0 - 10,0 kg/h	47 - 120 kW	2-stage	5602
HLZ 120 ALV-S	4,0 - 10,0 kg/h	47 - 120 kW	2-stage	5608
HLZ 120 BL	6,0 - 12,0 kg/h	71 - 140 kW	2-stage	5603
HLZ 120 BLV	6,0 - 12,0 kg/h	71 - 140 kW	2-stage	5609

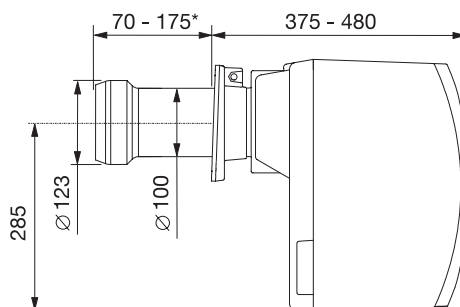
- HLZ 120 A-S: Low-NO_x-mixing unit certified according RAL-UZ 9 (Blue Angel)
- Automatic air damper with servodrive
- High pressure fan
- Electronic ignition unit
- 2-stage operating mode (2 pressure stage pump)
- Photo resistor for flame detection



HLZ 120 A..-S



HLZ 120 B..



* Other lengths on request

Packing dimensions (base x height):
425 x 485 x 595 mm
Transporting weight: 21,5 kg
All dimensions in mm