

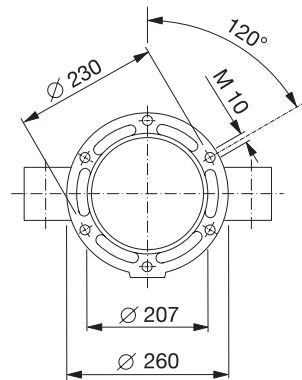
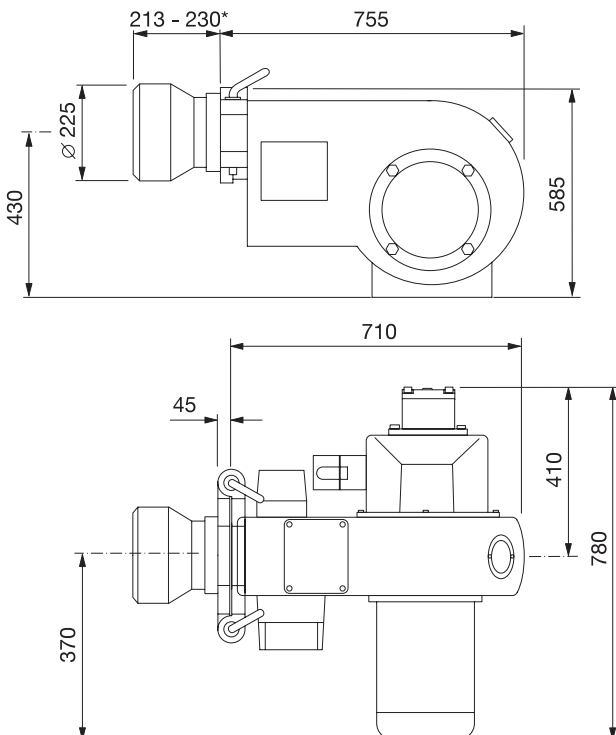
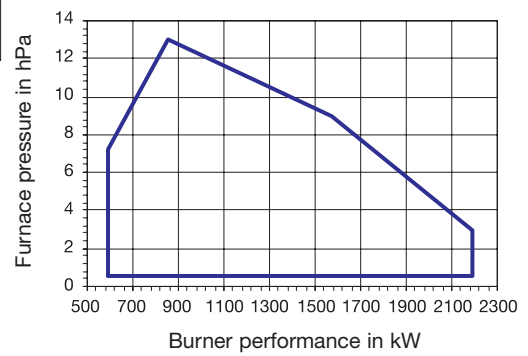
Oilburner HLZ 2000 L



Type	Oil mass flow	Burner performance	Operating mode	Order-no.
HLZ 2000 L	50,0 - 184,0 kg/h	592 - 2180 kW	2-stage	2400

- Automatic air damper with servodrives
- 2-stage operating mode (dual nozzle system)
- Photo resistor for flame detection
- Swivel mounted burner housing

HLZ 2000 L



* Other lengths on request

Packing dimensions
(base x height):
1090 x 800 x 600 mm
Transporting weight: 97 kg
All dimensions in mm