

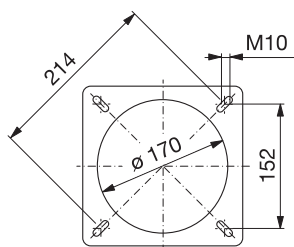
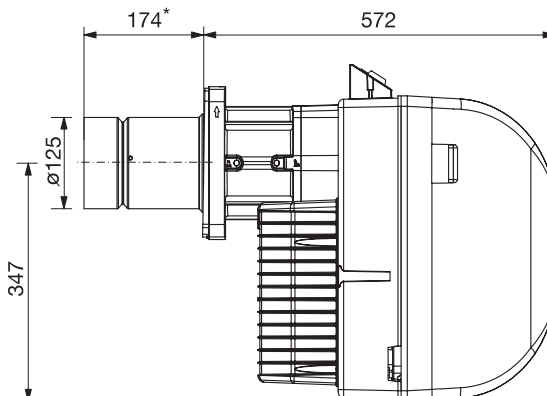
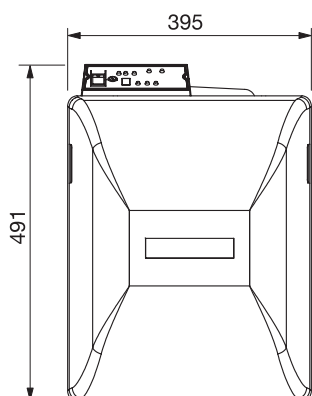
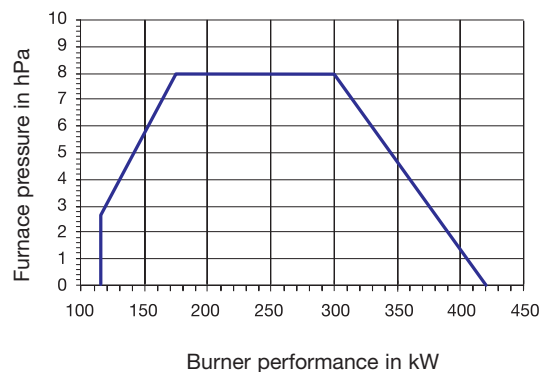
# Oilburner HLZ 390 A



Type	Oil mass flow	Burner performance	Operating mode	Order-no.
HLZ 390 AL	10,0-35,0 kg/h	115-420 kW	2-stage	7000

- 2-stage operating mode
- System for double nozzle
- Automatic air damper with servodrivre
- Modular construction
- High pressure fan
- Electronic ignition unit
- Photo resistor for flame detection

HLZ 390 AL



\* Other lengths on request

Packing dimensions  
(base x height):  
795 x 490 x 540 mm  
Transporting weight: 35 kg  
All dimensions in mm