

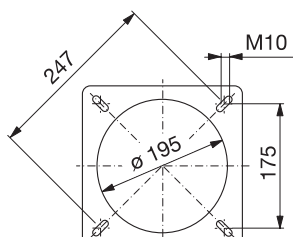
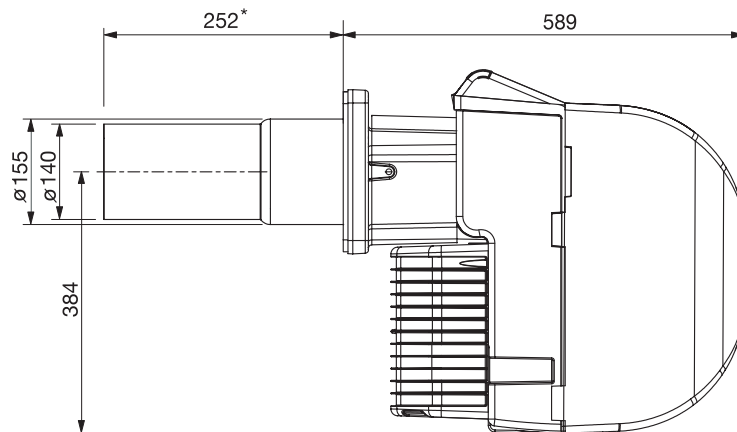
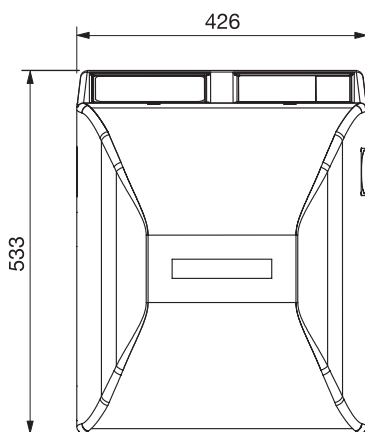
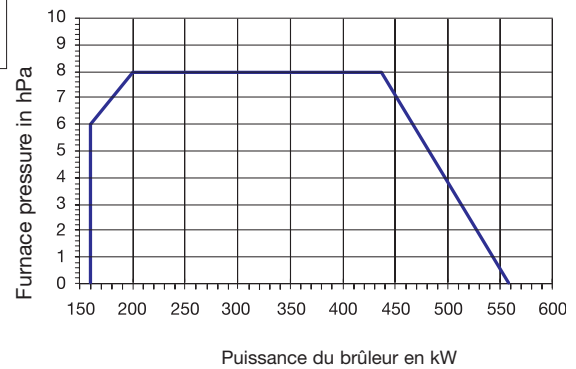
Oilburner HLZ 540 A



Type	Oil mass flow	Burner performance	Operating mode	Order-no.
HLZ 540 AL	13,5-47,0 kg/h	160-560 kW	2-stage	7200

- 2-stage operating mode
- System for double nozzle
- Automatic air damper with servodrive
- Modular construction
- High pressure fan
- Electronic ignition unit
- Photo resistor for flame detection

HLZ 540 AL



* Other lengths on request

Packing dimensions
(base x height):
1050 x 550 x 760 mm
Transporting weight: 46 kg
All dimensions in mm