

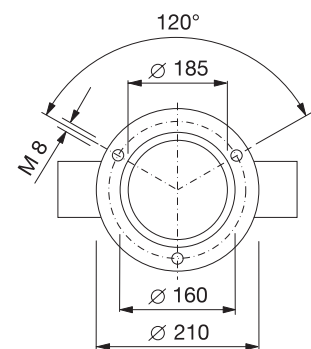
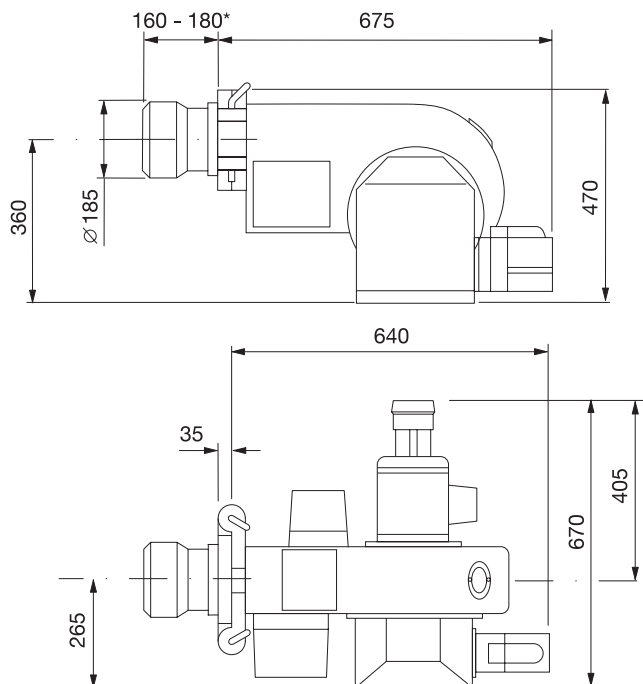
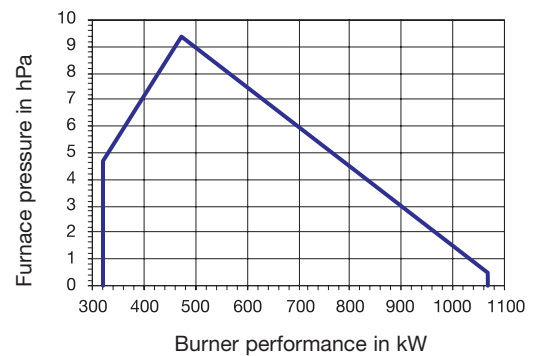
# Oilburner HLZ 950 L



Type	Oil mass flow	Burner performance	Operating mode	Order-no.
HLZ 950 L	27,0 - 90,0 kg/h	320 - 1065 kW	2-stage	2300

- Automatic air damper with servodrive
- 2-stage operating mode (2 pressure stage pump)
- Photo resistor for flame detection
- Swivel mounted burner housing

HLZ 950 L



\* Other lengths on request

Packing dimensions  
(base x height):  
880 x 710 x 505 mm  
Transporting weight: 54 kg  
All dimensions in mm