

HLM 35 G

Oil Burner

Horizontal installation



Vertical installation



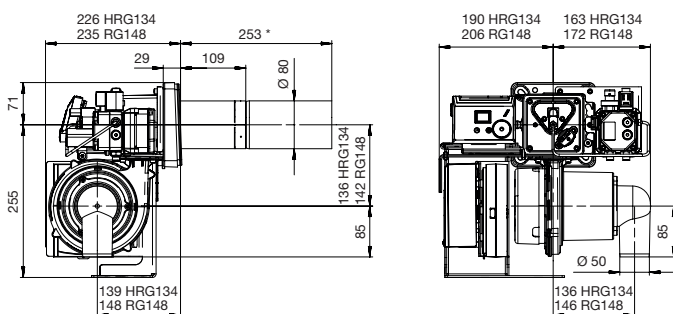
- Modulating operating mode
- Blue flame burner
- Low NOx version
- Modulating motor pump unit
- Automated oil-firing with communications interface
- Torque-controllable high-power blower (HRG 134, RG 148)

- Flame detector for flame monitoring
- Rated voltage 230V~50Hz

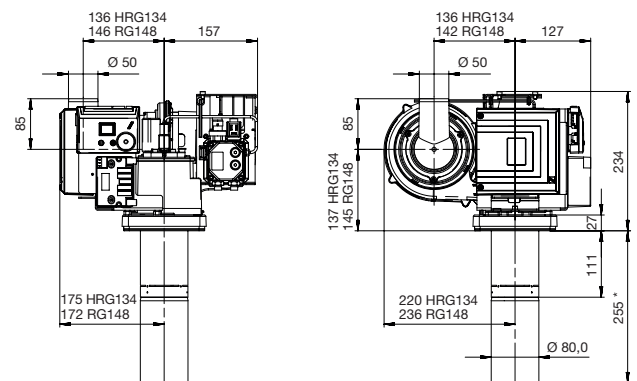
Technical Data

all figures in mm | *other lengths on request

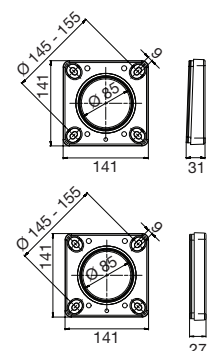
Horizontal installation



Vertical installation



Model	Oil flow	Burner performance	Regulation
HLM 35 AV 15 G1 G1	0,5 - 1,3 kg/h	6 - 15 kW	modulating
HLM 35 AV 16 G1 G1	0,7 - 1,6 kg/h	8 - 19 kW	modulating
HLM 35 AV 17 G1 G1	0,9 - 2,1 kg/h	10 - 25 kW	modulating
HLM 35 AV 19 G1 G1	1,0 - 2,2 kg/h	12 - 27 kW	modulating
HLM 35 AV 22 G1 G1	1,5 - 3,4 kg/h	18 - 40 kW	modulating
HLM 35 AV 24 G2 G1	1,6 - 3,8 kg/h	19 - 45 kW	modulating
HLM 35 AV 24 G2 G1	1,8 - 4,3 kg/h	21 - 51 kW	modulating



Product Range

Oil Burners

Model	Burner performance	Oil flow	Regulation	Available external air intake adapter	Preheating	High blower pressure	Flame control	Power of motor	Reduced pollutant	Installation horizontal/vertical
HLM 35 G	8 - 36 kW	0,7 - 3,0 kg/h	modulating	50 mm	yes	torque-controlled	flame detector	90 W	yes	h/v
HL 40 E-S	16 - 35 kW	1,3 - 3,0 kg/h	single-stage	50 / 80 mm	yes	yes	photo-resistor	90 W	yes	h/v
HLZ 45 A/BV	10 - 90 kW	0,8 - 7,6 kg/h	two-stage	50 mm	yes	torque-controlled	flame detector	90 W	yes	h/v
HL 60 A/B	16 - 65 kW	1,3 - 5,5 kg/h	single-stage	50 / 80 mm	possible	yes	photo-resistor	90 W	no	h/v
HL 60 E/F-S	16 - 65 kW	1,3 - 5,5 kg/h	single-stage	50 / 80 mm	yes	yes	photo-resistor	90 W	yes	h/v
HL 60 G/I/K-S	12 - 32 kW	1,0 - 2,7 kg/h	single-stage	50 / 80 mm	yes	yes	flame detector	180 W	yes	h/v
HL 60 N/P-S	31 - 45 kW	2,6 - 3,8 kg/h	single-stage	50 / 80 mm	yes	yes	flame detector	180 W	yes	h/v
HL/Z 120 A-S/B	47 - 140 kW	4,0 - 12,0 kg/h	single / two-stage	none	yes	yes	photo-resistor	180 W	no	h/v
HL 120 C/D/E-S	30 - 60 kW	2,5 - 5,1 kg/h	single-stage	none	yes	yes	flame detector	180 W	yes	h/v
HL 85 A/B	16 - 65 kW	1,3 - 5,5 kg/h	single-stage	none	yes	no	photo-resistor	180 W	no	h/v

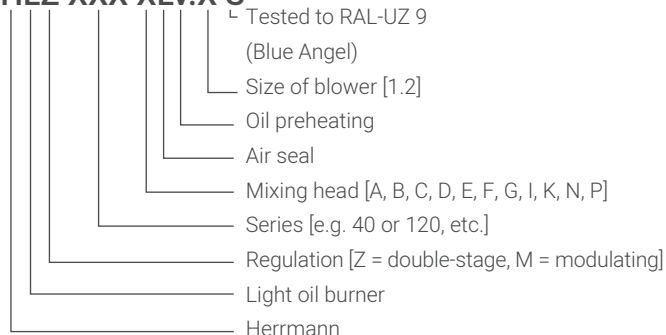
Gas Burner

Model	Burner performance	Gas connection	Regulation	Min. gas flow pressure	Gas type	Power of motor	High blower pressure	Available external air intake adapter
HG/Z 120 A-S	50 - 120 kW	R 3/4	single / two-stage	20 hPa	natural gas	180 W	yes	no
HG 75 A-E/B-E	23 - 90 kW	R 1/2, R 3/4	single-stage	20 hPa	natural gas	180 W	no	no
HG 75 C-F/D-F	23 - 90 kW	R 1/2, R 3/4	single-stage	50 hPa	liquid gas	180 W	no	no

Model Code

Oil Burners

HLZ XXX XLV.X-S



Gas Burners

HGZ XXX XL.X-X-S

